



Telefoon (0317) 619 108

www.serviceteam.nl

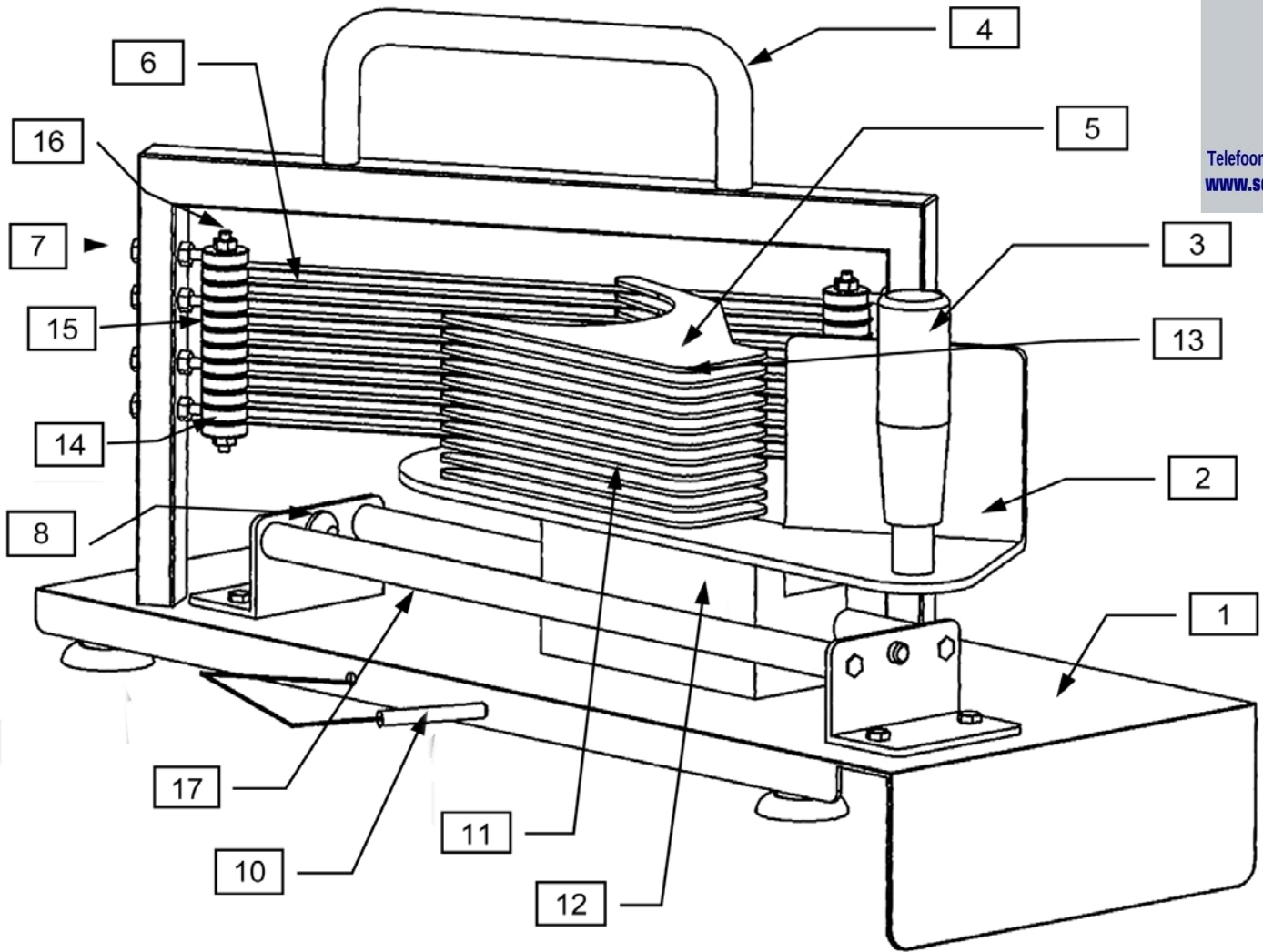
**SERVICE TEAM NEDERLAND**

bedrijfsopleiding grootkeukens witech catering equipment

**\*202.006 TOMATO SLICER 'TYPE JUMBO'**  
EXPLODED VIEW / SPARE PART LIST



Telefoon (0317) 619 108  
www.serviceteam.nl



| NUMBER | REFERENCE | DESCRIPTION                                       | Q'TY |
|--------|-----------|---|------|
| 1      | CTX030    | BASE ONLY   |      |
| 2      | CTX014    | ARM PUSHER ONLY WITHOUT HANDLE AND PLASTIC PLATES |      |
| 3      | CTX019    | BLACK HANDLE WITH AXLE AND SCREW                  |      |
| 4      | CTX031    | CARRIAGE HANDLE WITH DOCK                         |      |
| 5      | CTX017    | STAINLESS STEEL PLATE                             |      |
| 6      | CTX012    | SET OF 11 BLADES                                  |      |
| 7      | CTX22     | SET OF 8 SCREWS FOR BLADES                        |      |
| 8      | CTX23     | BLACK STOPPER                                     |      |
| 9      | GX016     | SUCTIONS  |      |
| 10     | CTX24     | SECURITY PIN                                      |      |
| 11     | CTX016    | SET OF 10 PLASTIC THIN PLATE                      |      |
| 12     | CTX25     | ARM PUSHER SUPPORT                                |      |
| 13     | CTX028    | PUSHER SPACER                                     |      |
| 14     | CTX20     | TAPPED RING                                       |      |
| 15     | CTX21     | UNTAPPED RING                                     |      |
| 16     | CTX032    | THREADED STICK                                    |      |
| 17     | CTX026    | GUIDE DIAM 44MM / CTX                             |      |