

PARTS LIST

for

**KitchenAid®**

**13-CUP FOOD PROCESSOR**

**\*521.410 - \*521.420 - \*521.430**

## 13-CUP FOOD PROCESSOR INTERNATIONAL

### MODELS:

5KFP1325EWH0 (White - Europe)  
5KFP1325BWH0 (White - Britain)  
5KFP1333EOB0 (Onyx Black - Europe)  
5KFP1333ECU0 (Contour Silver - Europe)  
5KFP1333BOB0 (Onyx Black - Britain)  
5KFP1333BCU0 (Contour Silver - Britain)  
5KFP1333SOB0 (Onyx Black - Swiss)  
5KFP1333SCU0 (Contour Silver - Swiss)  
5KFP1333GER0 (Empire Red - Asia)  
5KFP1335EWH0 (White - Europe)  
5KFP1335EER0 (Empire Red - Europe)

5KFP1335EAC0 (Almond Creme - Europe)  
5KFP1335EOB0 (Onyx Black - Europe)  
5KFP1335ECU0 (Contour Silver - Europe)  
5KFP1335BWH0 (White - Britain)  
5KFP1335BER0 (Empire Red - Britain)  
5KFP1335BAC0 (Almond Creme - Britain)  
5KFP1335BOB0 (Onyx Black - Britain)  
5KFP1335BCU0 (Contour Silver - Britain)  
5KFP1335SWH0 (White - Swiss)  
5KFP1335SER0 (Empire Red - Swiss)  
5KFP1335SAC0 (Almond Creme - Swiss)

Telefoon (0317) 619 108

[www.serviceteam.nl](http://www.serviceteam.nl)

**SERVICE TEAM NEDERLAND**



bedrijfskoeling

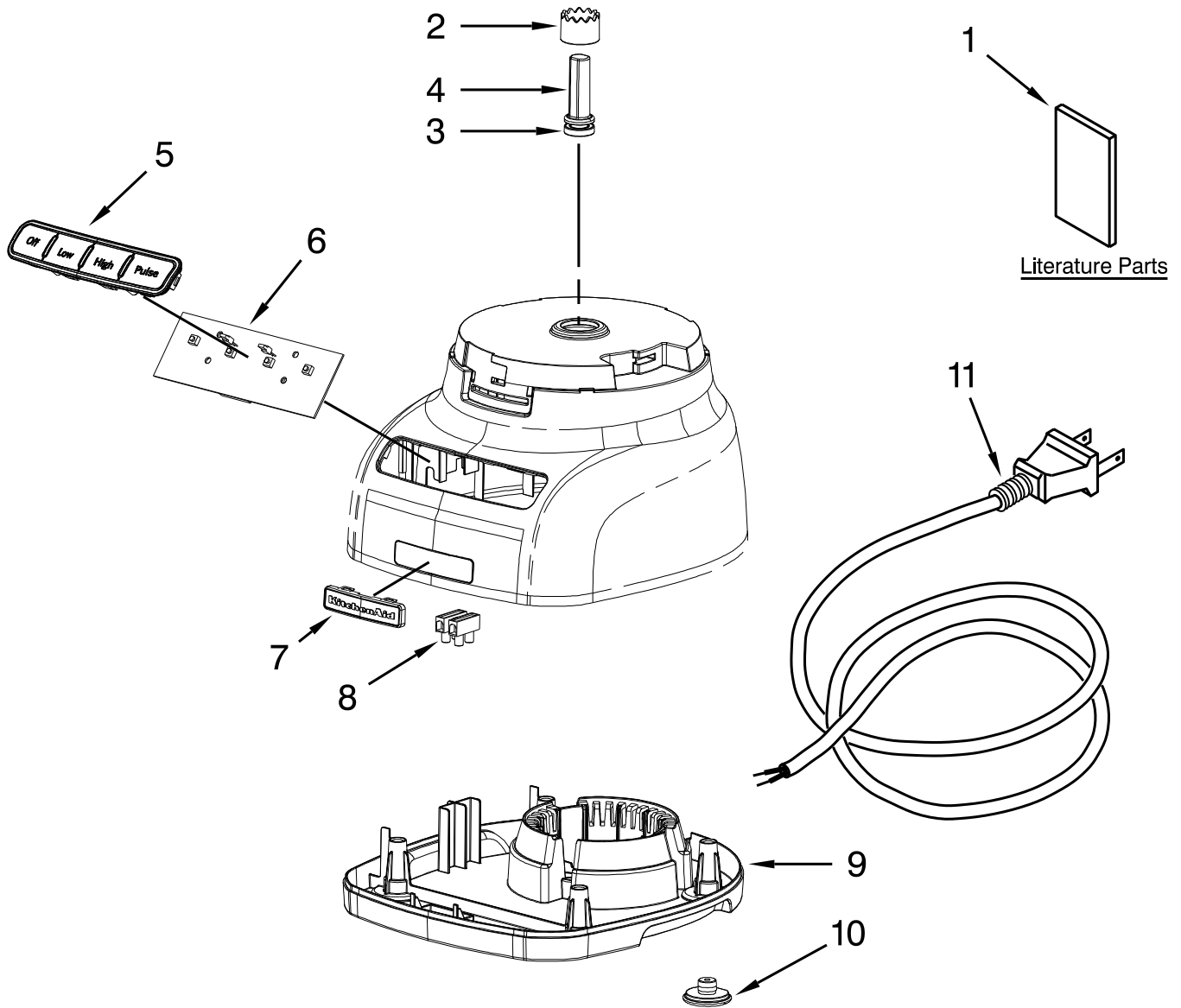


grootkeukens



witech catering equipment

# MOTOR AND HOUSING UNIT



Telefoon (0317) 619 108

[www.serviceteam.nl](http://www.serviceteam.nl)

## SERVICE TEAM NEDERLAND



bedrijfskoeling



grootkeukens



witech catering equipment

# MOTOR AND HOUSING UNIT

<u>Illus. No.</u>	<u>Part No.</u>	<u>Description</u>
1		Literature Parts
	W10505785	Use and Care Guide
2	W10451327	Support, Bearing
3	W10451328	Bearing, Ball
4	W10451326	Adapter, Motor
5	W10592795	Panel, Control
6	W10592796	PCB Assembly
7	W10451323	Nameplate

<u>Illus. No.</u>	<u>Part No.</u>	<u>Description</u>
8	W10451322	Block, Terminal
9		Base, Housing
	W10451321	Black
	W10592797	White
	W10592798	Empire Red
	W10592799	Almond Creme
	W10592800	Onyx Black
10	W10451320	Foot

<u>Illus. No.</u>	<u>Part No.</u>	<u>Description</u>
11		Cord, Power
	W10592585	Britain and China
	W10592587	European

Telefoon (0317) 619 108

[www.serviceteam.nl](http://www.serviceteam.nl)

**SERVICE TEAM NEDERLAND**



bedrijfskoeling

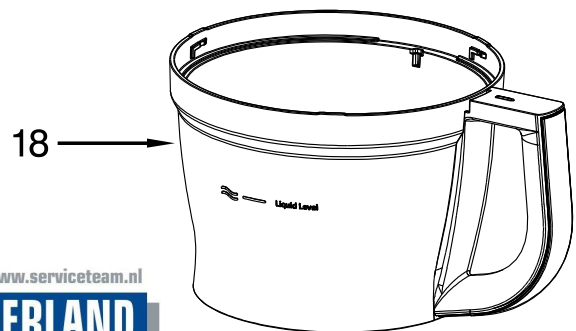
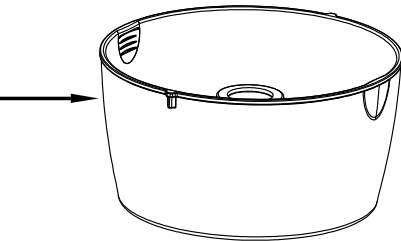
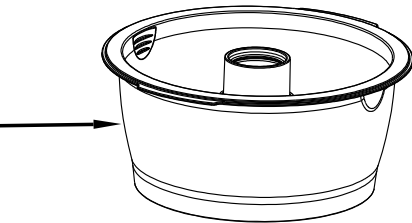
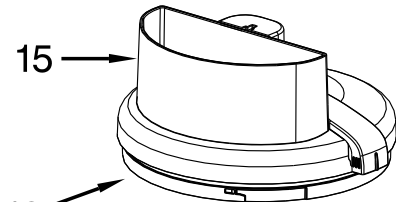
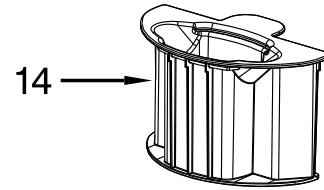
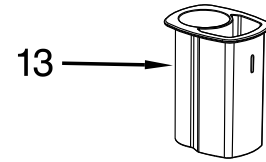
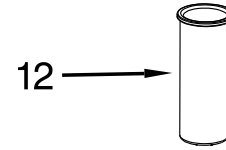
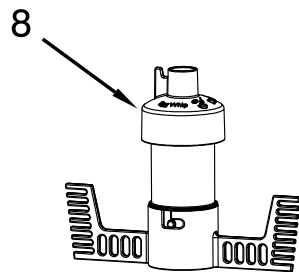
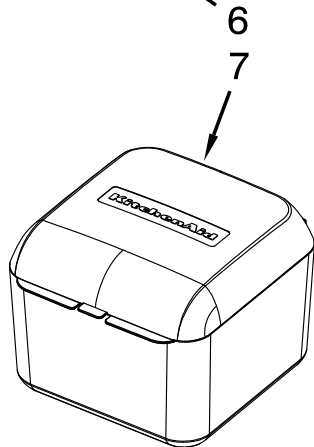
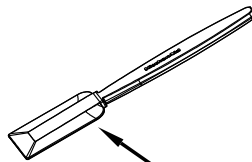
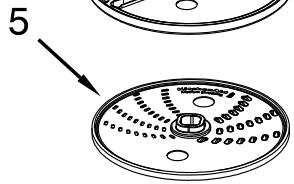
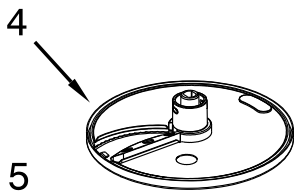
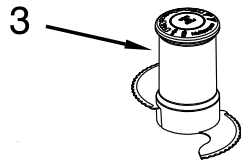
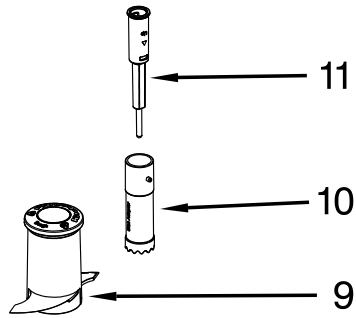
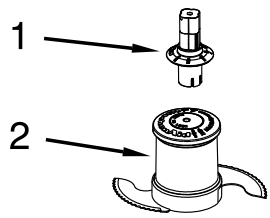


grootkeukens



witech catering equipment

# ATTACHMENT PARTS



Telefoon (0317) 619 108

www.serviceteam.nl

**SERVICE TEAM NEDERLAND**

bedrijfskoeling grootkeukens witech catering equipment

# ATTACHMENT PARTS

<u>Illus.</u> <u>No.</u>	<u>Part No.</u>	<u>Description</u>	<u>Illus.</u> <u>No.</u>	<u>Part No.</u>	<u>Description</u>	<u>Illus.</u> <u>No.</u>	<u>Part No.</u>	<u>Description</u>
1	W10451497	Adapter, Shredding	11	W10461962	Adaptor, Common	17	W10461926	Bowl, Chef
2	W10451487	Blade, Mini	12	W10461924	Pusher, Round	18		Bowl, 13-Cup
3	W10451463	Blade, Multi- Purpose	13	W10461925	Pusher, Regular		W10592810	White
4	W10451466	Disc, Slicing	14	W10451469	Pusher, Wide Mouth		W10592804	Empire Red
5	W10451465	Disc, Shredding	15		Lid, 13-Cup		W10592806	Almond Creme
6	W10461927	Spatula		W10592808	White		W10592809	Onyx Black
7	W10451494	Box, Accessory (Large)		W10592803	Empire Red	19	W10480168	Gasket, Lid
8	W10451493	Whip, Egg		W10592805	Almond Creme			
9	W10451489	Blade, Dough		W10592807	Onyx Black			
10	W10451495	Adapter, Slicing Shaft	16	W10451470	Bowl, Mini			

Telefoon (0317) 619 108

[www.serviceteam.nl](http://www.serviceteam.nl)

**SERVICE TEAM NEDERLAND**



bedrijfskoeling



grootkeukens



witech catering equipment