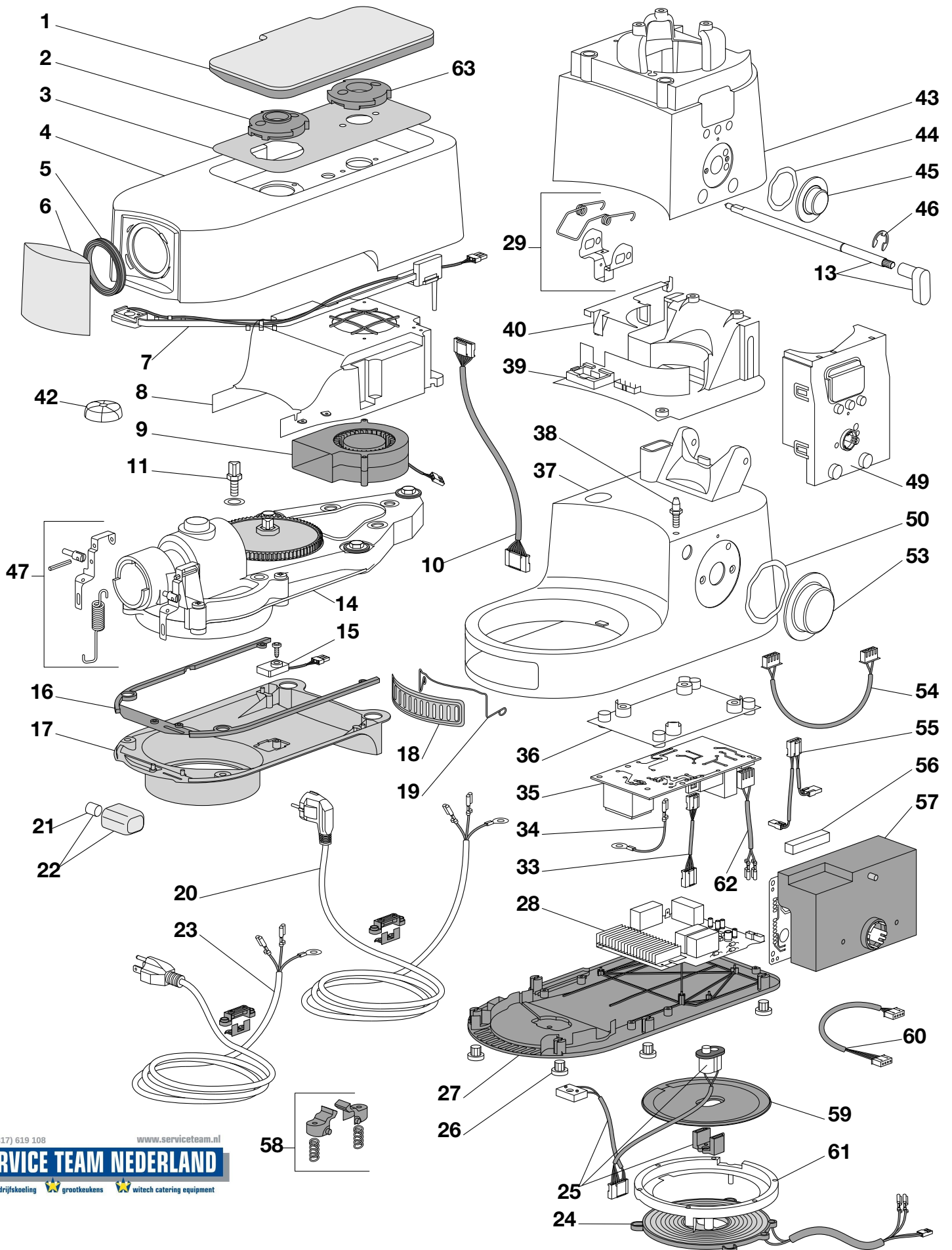
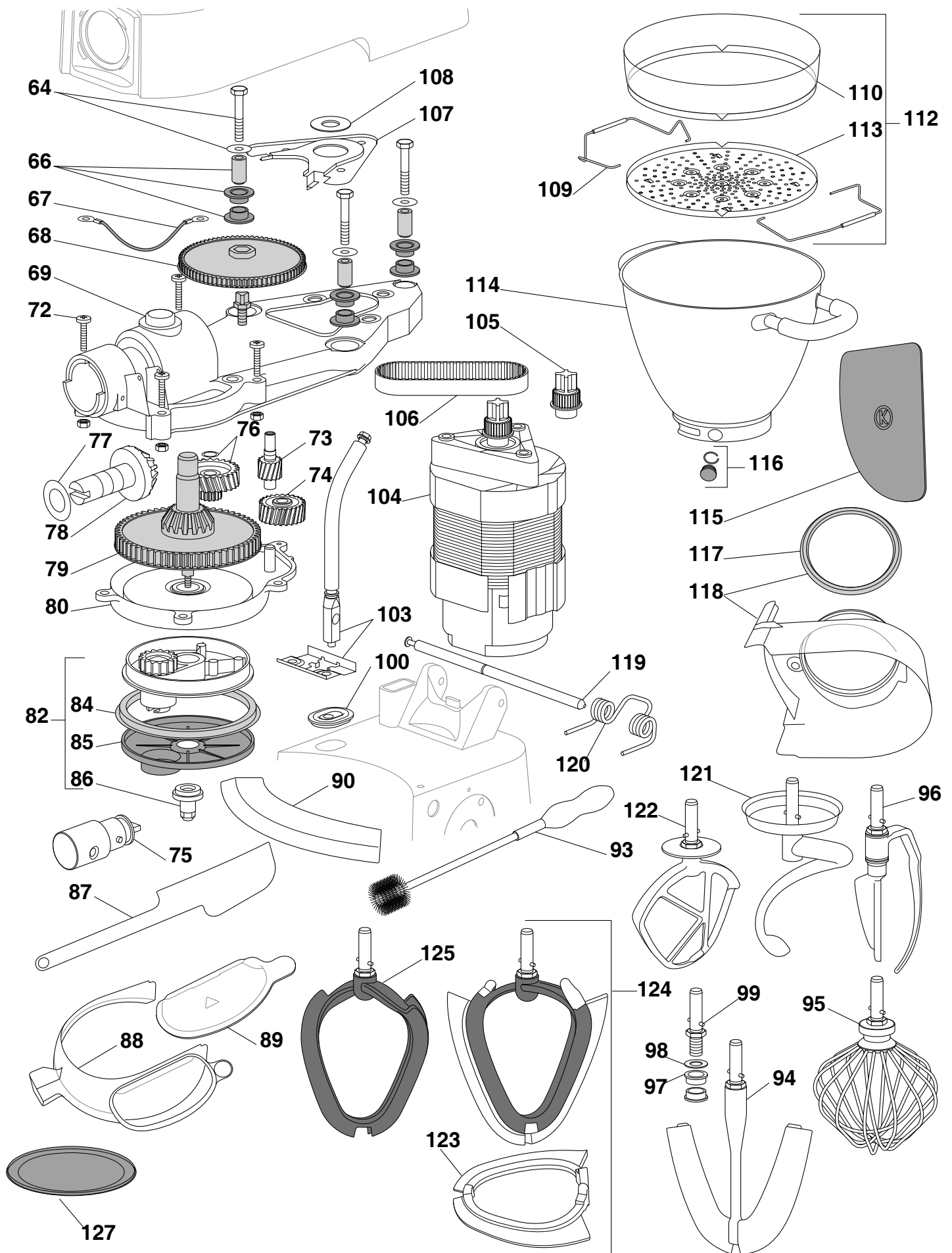


\*901.400





Pos.	Code	Description
	KW710658	SPANNER
	KW630879	GREASE - FOOD GRADE - 100g TUBE
001	KW712887	MEDIUM/HIGH SPEED OUTLET COVER ASSEMBLY
002	KW674980	MEDIUM DRIVE OUTLET SPIGOT - GREY
003	KW712889	SPIGOT SEAT PLATE
004	KW712885	TOP COVER - PRINTED 'KENWOOD'
005	KW675001	FRONT GEARBOX MOUNT
006	KW712886	SLOW SPEED OUTLET COVER ASSEMBLY
007	KW712941	REED SWITCH ASSEMBLY COMPLETE (SLOW, MEDIUM & HIGH SPEED OUTLETS)
008	KW712909	INDUCTION PCB COVER
009	KW712918	FAN MOTOR ASSEMBLY
010	KW712948	LEAD ASSEMBLY (POWER PCB LCD PCB)
011	KW674552	MEDIUM SPEED DRIVE SHAFT & WASHER
013	KW712900	HEAD LIFT LEVER ASSEMBLY
014	KW712912	GEARBOX ASSEMBLY COMPLETE
015	KW712942	REED SWITCH ASSEMBLY (HEAT GUARD)
016	KW712894	TOP COVER SEAL
017	KW712892	LOWER GEARBOX COVER
018	KW712905	EXHAUST GRILLE - CHROME
019	KW712906	RETAINING SPRING (EXHAUST GRILLE)
020	KW712952	SUPPLY CORD ASSEMBLY - EU PLUG
021	KW712891	BUFFER - PACK 3 (SLOW SPEED OUTLET KNOB)
022	KW712890	SLOW SPEED OUTER KNOB ASSEMBLY INCLUDING BUFFER
024	KW712921	INDUCTION COIL AND NTC ASSEMBLY
025	KW712920	NTC AND BOWL REED SWITCH ASSEMBLY INCLUDING COVER
026	KW712911	FOOT (PACK 6)
027	KW712910	BASE MOULDING
028	KW712919	INDUCTION PCB ASSEMBLY
029	KW710366	HEADLIFT SPRING & LATCH PLATE. ATTENTION CHECK TECHNICAL INFORMATION IT0129
033	KW712946	LEAD ASSEMBLY (CONTROL PCB POWER PCB)
034	KW712944	EARTH LEAD ASSEMBLY (PEDESTAL)
035	KW712922	POWER PCB ASSEMBLY

Pos.	Code	Description
036	KW712923	CARRIER (POWER PCB)
037	KW712904	PEDESTAL - PRINTED 'COOKING CHEF MAJOR'
038	KW675037	BODY LOCATION PIN
039	KW712896	BODY COVER
040	KW712897	BODY COVER INSERT
042	KW674746	GEARBOX TOP MOUNT
043	KW712895	BODY - WITH EARTH HOLE
044	KW712932	WAVY WASHER (TEMPERATURE CONTROL KNOB)
045	KW712931	TEMPERATURE CONTROL KNOB ASSEMBLY
046	KW712901	CIRCLIP (PACK 3) - HEAD LIFT LEVER
047	KW712954	SLOW SPEED OUTLET LEVER, PIN AND SPRING
049	KW712940	LCD PCB ASSEMBLY COMPLETE
050	KW712925	WAVY WASHER (SPEED CONTROL KNOB)
053	KW712924	SPEED CONTROL KNOB ASSEMBLY
054	KW712949	LEAD ASSEMBLY (CONTROL PCB LCD PCB)
055	KW712950	LEAD ASSEMBLY (HEAT GUARD / OUTLET COVER INTERLOCKS LCD PCB)
056	KW710743	MAGNET
057	KW712991	CONTROL PCB ASSEMBLY COMPLETE
058	KW712888	LATCH AND SPRING SET (MEDIUM/HIGH SPEED OUTLET COVER)
059	KW712907	HIGH TEMPERATURE SEAT PAD
060	KW712945	LEAD ASSEMBLY (INDUCTION PCB CONTROL PCB)
061	KW712908	INDUCTION COIL SUPPORT CASTING
062	KW712947	POWER LEAD ASSEMBLY (INDUCTION PCB POWER PCB)
063	KW674992	HIGH SPEED OUTLET SPIGOT - GREY
064	KW674655	GEARBOX LOCATION BOLT & WASHER (PACK 3)
066	KW712955	DOWEL TUBE AND MOUNT SET
067	KW712943	EARTH LEAD ASSEMBLY (GEARBOX)
068	KW674564	LARGE PULLEY *use stall plug (KW710409) to remove & refit pulley
069	KW712953	GEARBOX UPPER COVER - WITH EARTHING HOLE
072	KW674693	GEARBOX ASSEMBLY BOLT KIT
073	KW674617	PINION GEAR ASSEMBLY
074	KW674681	IDLER GEAR ASSEMBLY & WASHERS

Pos.	Code	Description
075	KW710409	STALL PLUG *special tool to assist with the removal & replacement of large pulley
076	KW674605	PENULTIMATE GEAR ASSEMBLY & WASHERS
077	KW712893	GEARBOX REAR SPACER
078	KW674590	OUTPUT SHAFT GEAR ASSEMBLY
079	KW710368	VERTICAL DRIVE SHAFT ASSEMBLY - MAJOR
080	KW710369	GEARBOX LOWER COVER ASSEMBLY
082	KW712913	PLANET HUB ASSEMBLY INCLUDING COVER, SEAL AND HUB NUT
084	KW712914	PLANET HUB SEAL
085	KW712915	PLANET HUB COVER
086	KW712916	PLANET HUB NUT
087	KW712875	HIGH TEMPERATURE SPATULA
088	KW712877	SPLASHGUARD ASSEMBLY COMPLETE
089	KW712878	LID (SPLASHGUARD)
090	KW712868	FLEXIBLE WIPER
093	KW713240	CLEANING BRUSH (for flexible wiper)
094	KW712867	HIGH TEMPERATURE FLEXIBLE BEATER
095	AW45002001	45002 Power Whisk (major)
096	KW713836	STIRRING TOOL ASSEMBLY (modified)
097	KW712870	BEARING (STIRRING TOOL)
098	KW712871	WASHER
099	KW711987	MAJOR BEATER SHAFT ASSEMBLY - CIRCLIP
100	KW712903	GROMMET (QUADRANT) - PACK 3
103	KW712902	QUADRANT ASSEMBLY AND BRACKET
104	<del>IT0230</del>	SEE TECHNICAL INFORMATION
105	KW713177	PULLEY (ANKARSRUM MOTOR)
106	KW674722	DRIVE BELT
107	KW710367	MOTOR MOUNT MOULDING (ANKARSRUM MOTOR)
108	KW674801	PLASTIC WASHER - PACK 3 *fits motor pulley
108a	<del>IT0230</del>	SEE TECHNICAL INFORMATION
108b	<del>IT0230</del>	SEE TECHNICAL INFORMATION
108c	<del>IT0230</del>	SEE TECHNICAL INFORMATION
109	KW712884	FOLDING HANDLE - SINGLE - LEFT/RIGHT HAND SIDE

Pos.	Code	Description
110	KW712882	SUPPORTING RING
112	KW712881	STEAMER BASKET ASSEMBLY COMPLETE
113	KW712883	REMOVEABLE TRAY
114	KW713966	BOWL ASSEMBLY - STAINLESS STEEL WITH HANDLES
115	KW712876	SCRAPER
116	KW712873	BOWL MAGNET ASSEMBLY AND CIRCLIP
117	KW713360	HEAT GUARD SEAL (FOR MODIFIED HEAT GUARD)
117	KW713359	MODIFIED HEAT GUARD ASSEMBLY WITH SPRING RETAINER
118	KW713359	MODIFIED HEAT GUARD ASSEMBLY WITH SPRING RETAINER
119	KW712898	HINGE PIN
120	KW712899	HEAD LIFT SPRING
121	KW711659	DOUGH HOOK ASSEMBLY (fitted with non-circlip shaft for use with bayonet hub) *RECOMMEND for use with Ankarsrum motor only
122	KW712205	K BEATER ASSEMBLY - STAINLESS STEEL - non-bayonet hub & new circlip shaft
123	KW714263	FLEXIBLE BEATER - GREY BLADE
123A	KW714266	FLEXIBLE BEATER - BLACK BLADE
124	AWAT502002	HIGH TEMPERATURE FLEXI BEATER ASSEMBLY - GREY
125	KW714262	FLEXIBLE BEATER BLADE HOLDER ASSEMBLY - GREY
127	KW712874	WORKSURFACE PROTECTION MAT