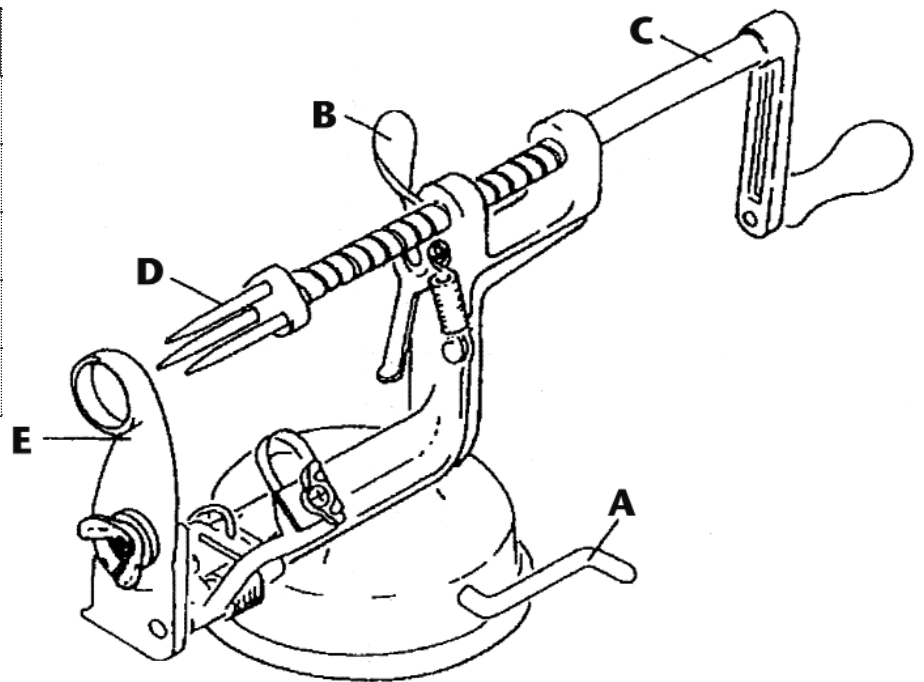


*537.141 **APPLE PEELER, CORER & SLICER** MANUAL / SPARE PART LIST

No	DESCRIPTION
A	VACUUM BASE WITH LEVER
B	SHAFT LEVER
C	HANDLE
D	FORK
E	CORER BLADE



KEEP AWAY FROM CHILDREN - BE CAREFUL THE BLADE IS VERY SHARP - WASH THE APPLIANCE BEFORE THE FIRST USE AND AFTER EACH USE UNDER THE WARM WATER, THEN, WIPE IT.

APPLE PEELER - SUCTION BASE **Assembly instructions:**

1. The handle has been placed on the peeler back-ward to conserve space in the box. Turn handle around by releasing the shaft lever and pulling shaft back slightly. Turn handle counter clockwise to unscrew from shaft and reattach by turning handle firmly clockwise.
2. Secure apple peeler to counter or table top by turning lever on vacuum base.
3. Turn the handle all the way in to make sure the fork passes directly through the centre of the coring slicing blade. if adjustment is needed, loosen thumb screw and centre blade around the fork.
4. Now you're ready to begin peeling. Press apple, stem end first, firmly onto the 3 prong fork. Make sure apple is centred on fork so that peeler will work at its best. Turn handle to peel, core and slice in one easy operation.
5. When peeling is completed slide apple spiral from core. Release lever and pull handle back when peeling is completed to release core from fork.
6. The sharp end of the corer blade will make apple rings just for canning, drying, salads, pies and other delicious apple treats.

Telefoon (0317) 619 108

www.serviceteam.nl

SERVICE TEAM NEDERLAND



bedrijfskoeling



grootkeukens



witech catering equipment