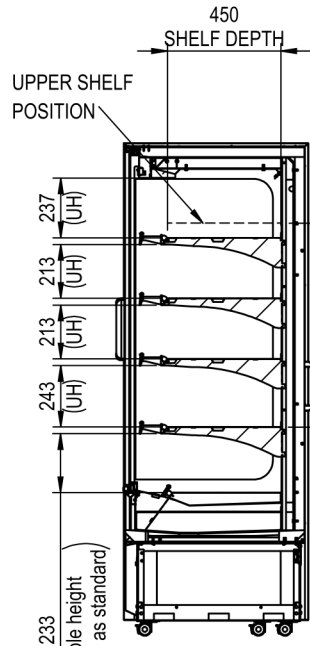
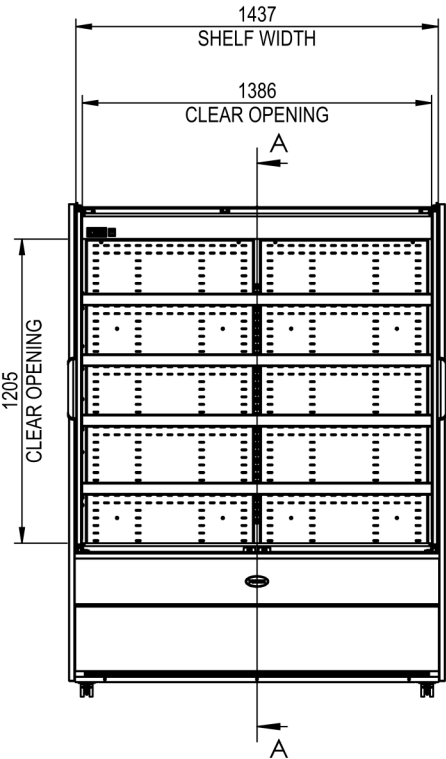
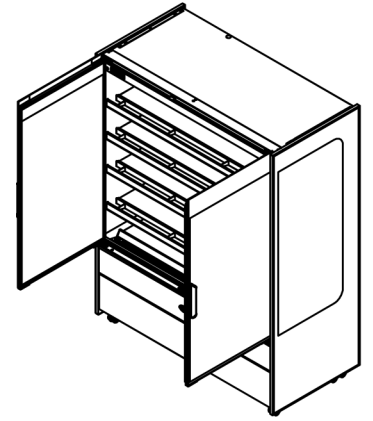
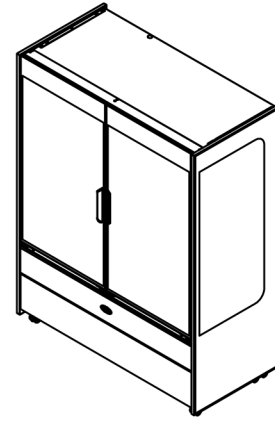
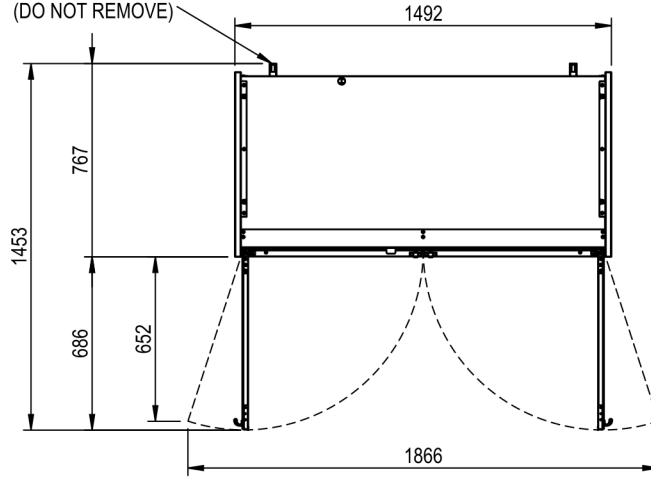


WKM1500GEMD

HANDLE / BACKSTOP
(DO NOT REMOVE)



SECTION A-A

